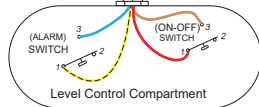


SUPPLY CABLE WIRE COLOR & OPERATION

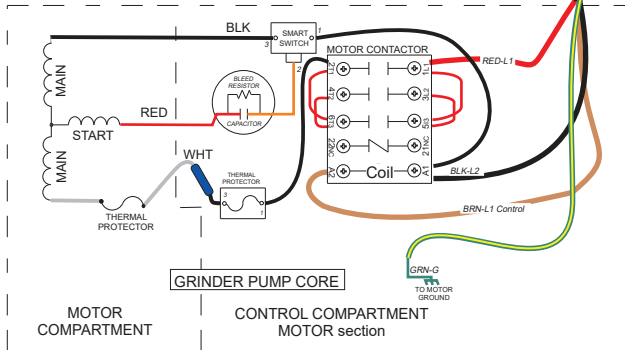
EQD Pin #	Wire Color	Function
1	Brown	Manual Run
2	Red	L1
3	Black	L2 or Neutral
4	Green w/ Yellow Stripe	Ground
5	Yellow	Alarm Power Feed
6	Blue	Alarm Power Return

Supply Cable



HARD WIRE OPTION

Alarm Yellow and Blue wires go to the alarm panel only Motor Control Red and Brown wires go to both alarm panel and motor contactor



NA0036P17 **B**
240 Volt 50 Hz
Control Wiring Tag

eone